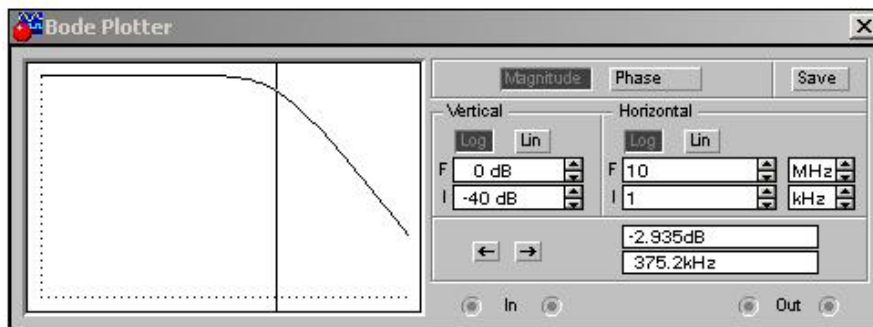
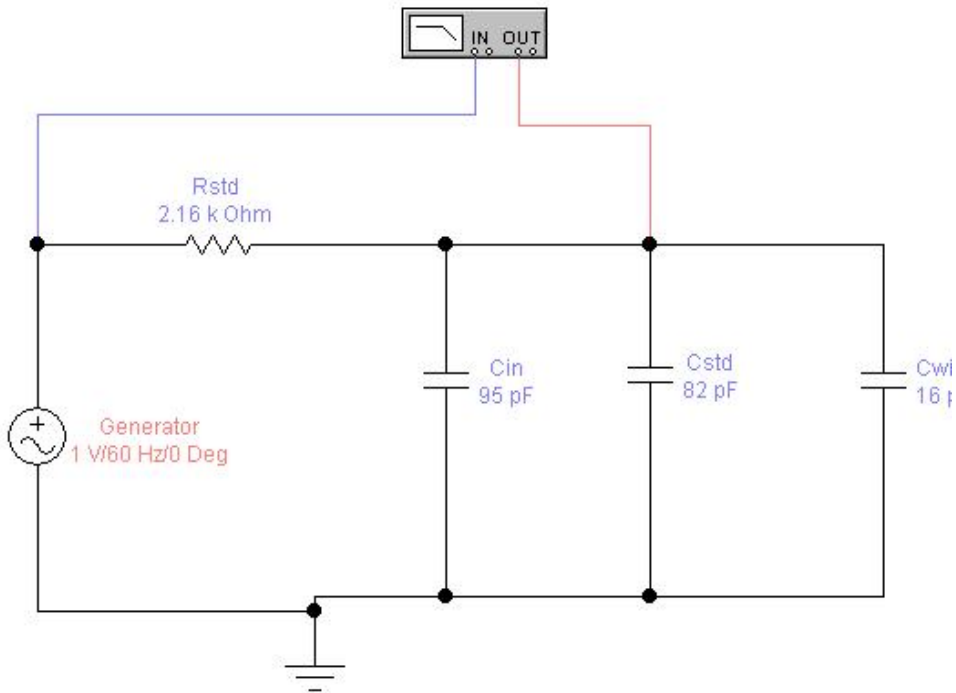
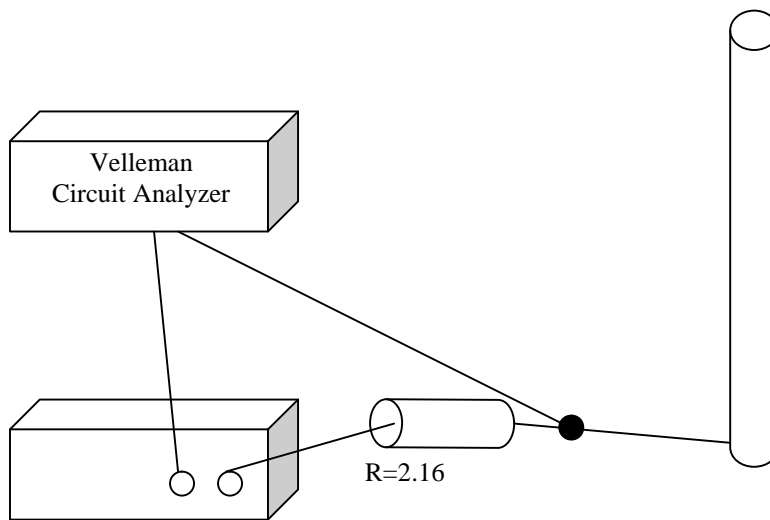


d=1

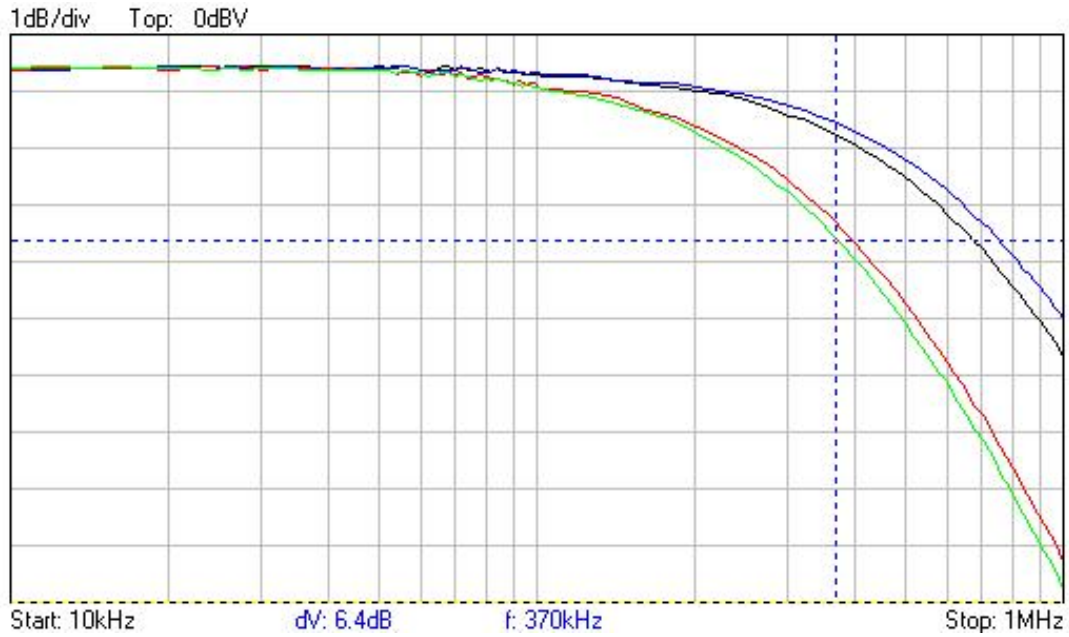
1.40



.1



.2



3. 4-

402 370 R=2.16 Z=50 U=1 RMS, F=759 679

 =95, + =106, + 82=179, + + 82=195

 - 3dB RC

[1] $f = \frac{1}{2fRC}$,

[2] $C = \frac{1}{2fR f}$

4 :

- , Velleman) (

- 1.40

- 82 .

- :

84 (95 (<100)

: 11 16 . (

82)

13.5 +- 2.5

1.39 \square $\left(\frac{1}{11.2 \times 1.40} \right) = 15.8$, . . .

$$[3] C = \frac{2fV_0}{\ln(l/r)} l$$

C=9.3 .

Velleman,

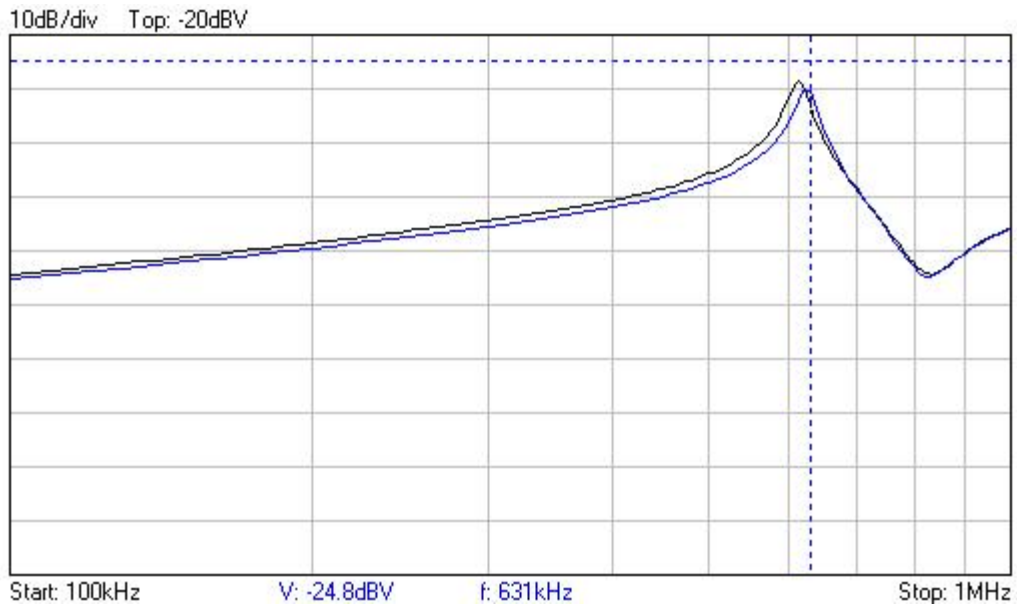
(3%)

1.40

L=5

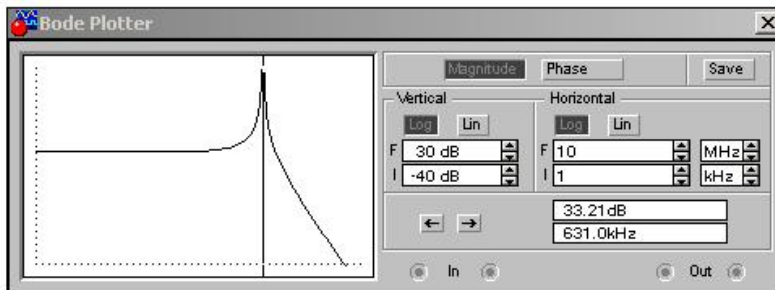
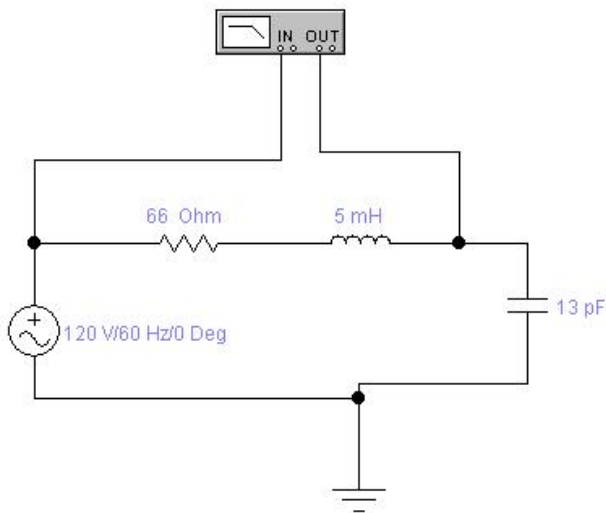
631 .

13 .



4.

()
()



.4

$r=5$

[4] $C = 4fv_0r = 5.56$

5

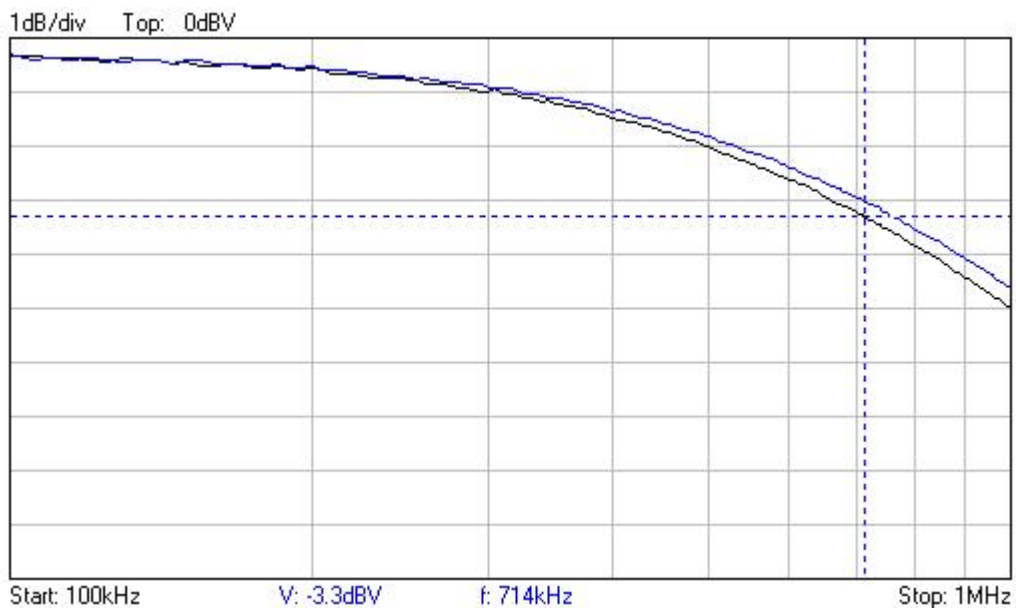
[5] $C = \frac{4}{f}v_0l = 0.56$

$5.56+0.56=6.12$

.2 (

.5)

6.3 :



. 5

()

()

6.3

2.8%.



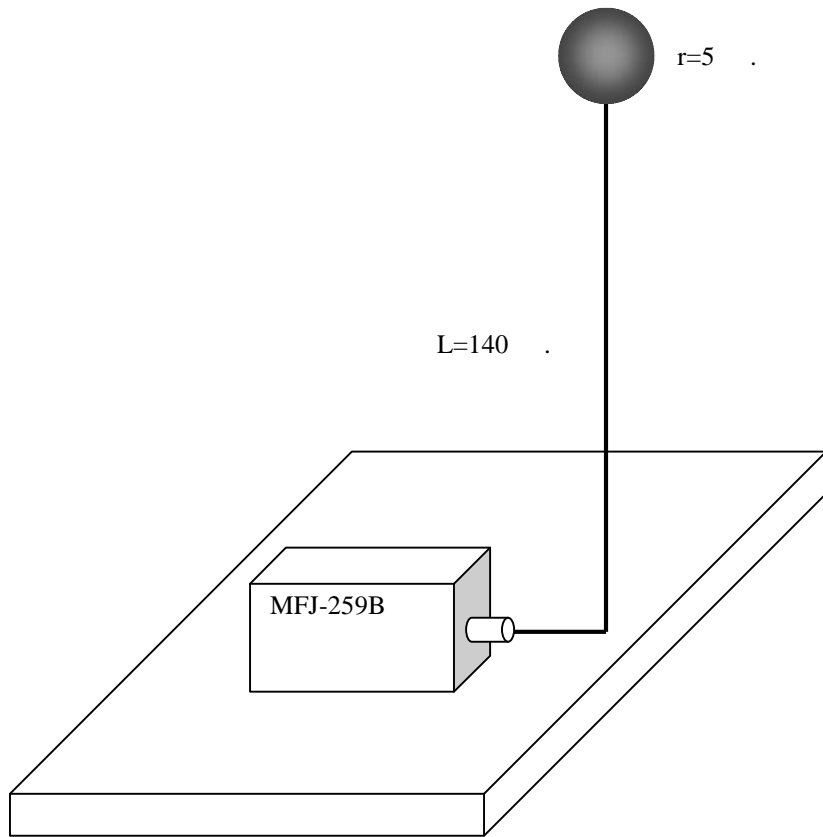
. 6.

MFJ-259B

1.403 , 5.614 . 53.4 .
 (. 7) 2.807,
) , .

(') (=2.1, 140 .
) 98 (5-10) 51.6

50 .



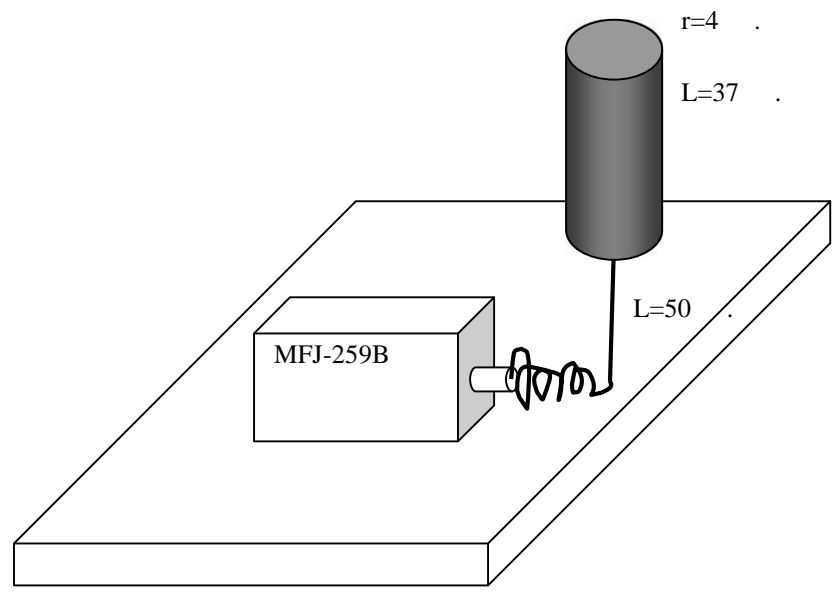
.7

" "

(6.2)

$R = 100$, $= 2.0$, $F = 37.82$, $(\quad) \frac{10}{15}$,
 $F = 41.5$,
 8.9%,
 $F = 34.8$, $F = 33.1$, 12.5,
 5%,
 $R = 80$, MFJ-
 259B,
 10%.

37 , 50 ,
 37 , 1.4 ,
 25 ,
 120 ,
 2.2 , 0.5 ,
 12 , $(\quad .8)$, 25 , ...



" " EH- ,
 . ,
 " " , , , ,
 " " ,
 .
 :

[6] $L = \frac{\tilde{0}}{4f} l = 0.1l$

14 .
 14 (20
 37
). 12.5 ,
 13 10 ,
 1 (. 9).
 MFJ-259B LC
 10 (1).
 87.
 10 .
 (12.5)

[7] $f = \frac{1}{2f\sqrt{LC}} = \frac{1}{6.28\sqrt{10^{-5}13.5*10^{-12}}} = 13.7$

13.6 .
R_a=75
 1.4. MFJ-259B

Degen-1103. MFJ-
 259B

$$[8] \dots = \sqrt{\frac{L}{C}} = 861$$

$$[9] Q = \frac{\dots}{R_a} = \frac{861}{75} = 11.5$$

$$\Delta F = 14.3 - 13.0 = 1.3$$

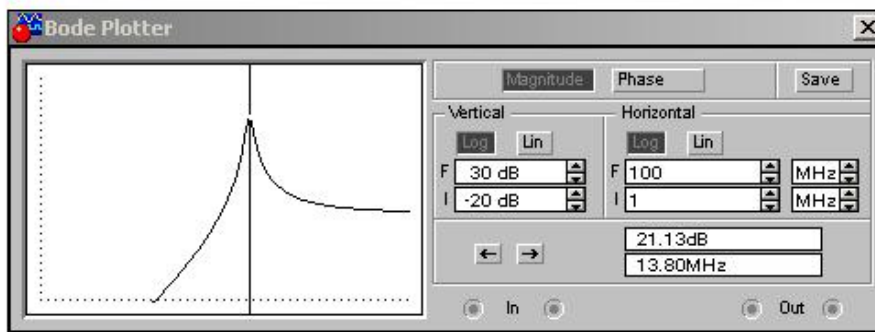
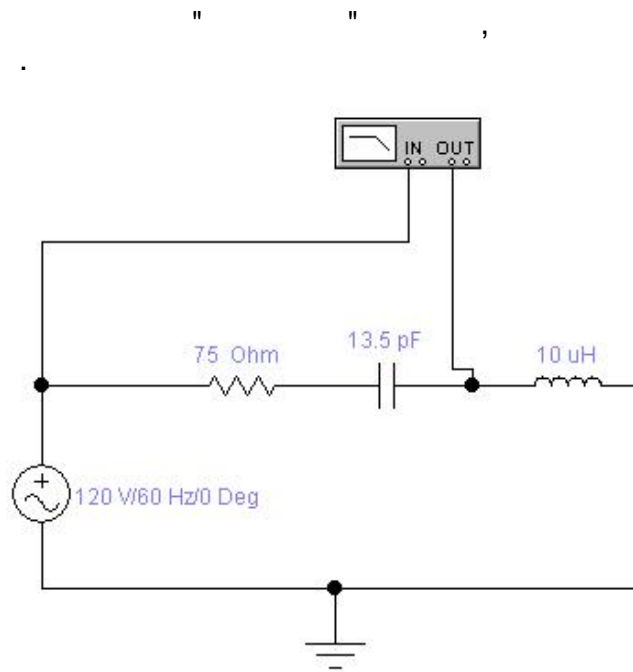
13.6

$$[10] Q = \frac{F}{\Delta F} = \frac{13.6}{1.3} = 10.5$$

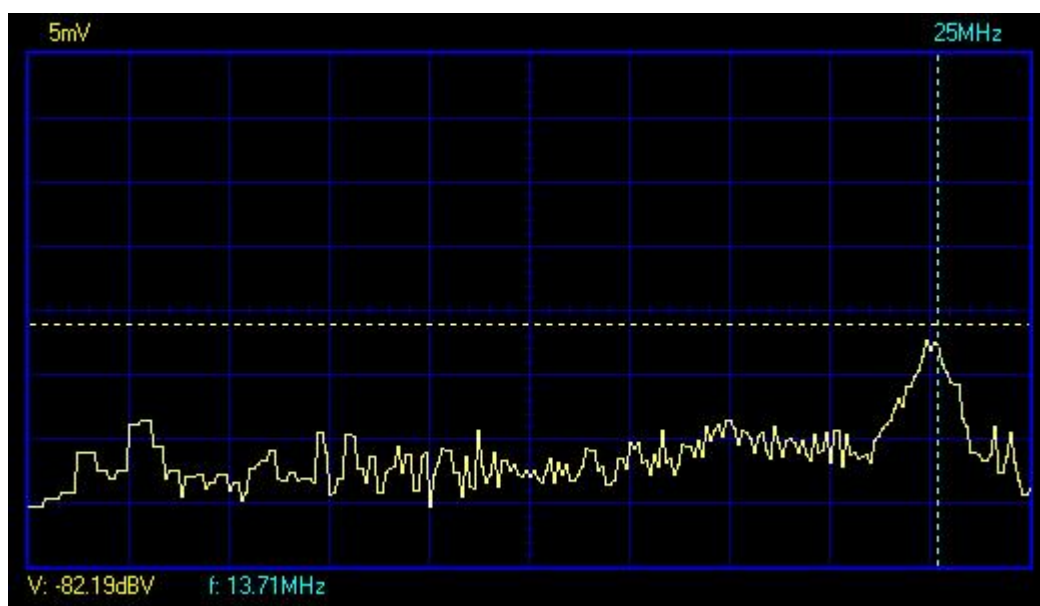
[9].

50 75

1.4



. 10.



. 11.

Velleman.



. 9



MFJ-259B

- 1) . () 2006
- 2) . () 2008
- 3) MFJ-259B.
http://ftp.qrz.ru/pub/hamradio/schemes/tnc/MFJ-259b_Manual.pdf
- 4) Velleman PCS500
<http://www.chip-dip.ru/library/DOC000076522.pdf>
- 5) Velleman PCG10
http://www.signal.ru/UserManual_PCG10-K8016.pdf
- 6) . . " 1996 . . . "
- 7) EH-
<http://www.eh-antenna.net/def.htm>, <http://www.ehant.qrz.ru/book.htm>
- 8) . , . . . 1983. . .